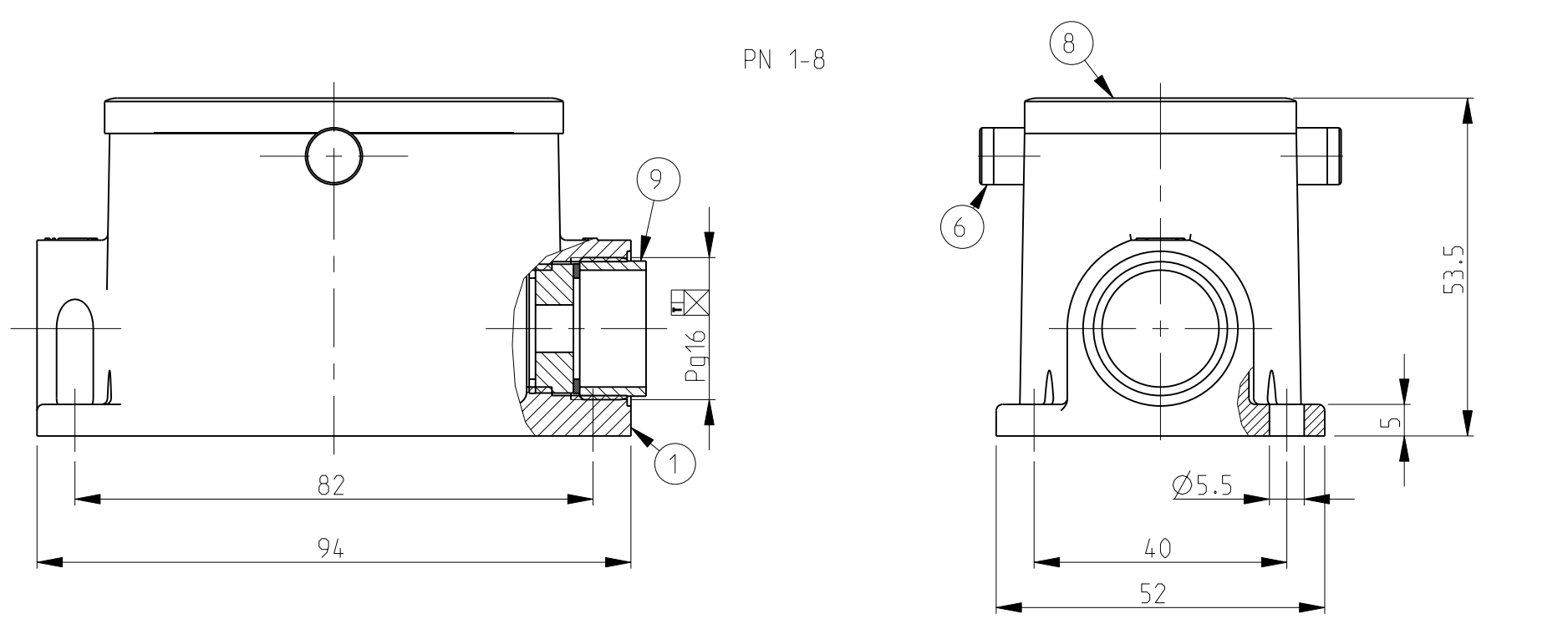
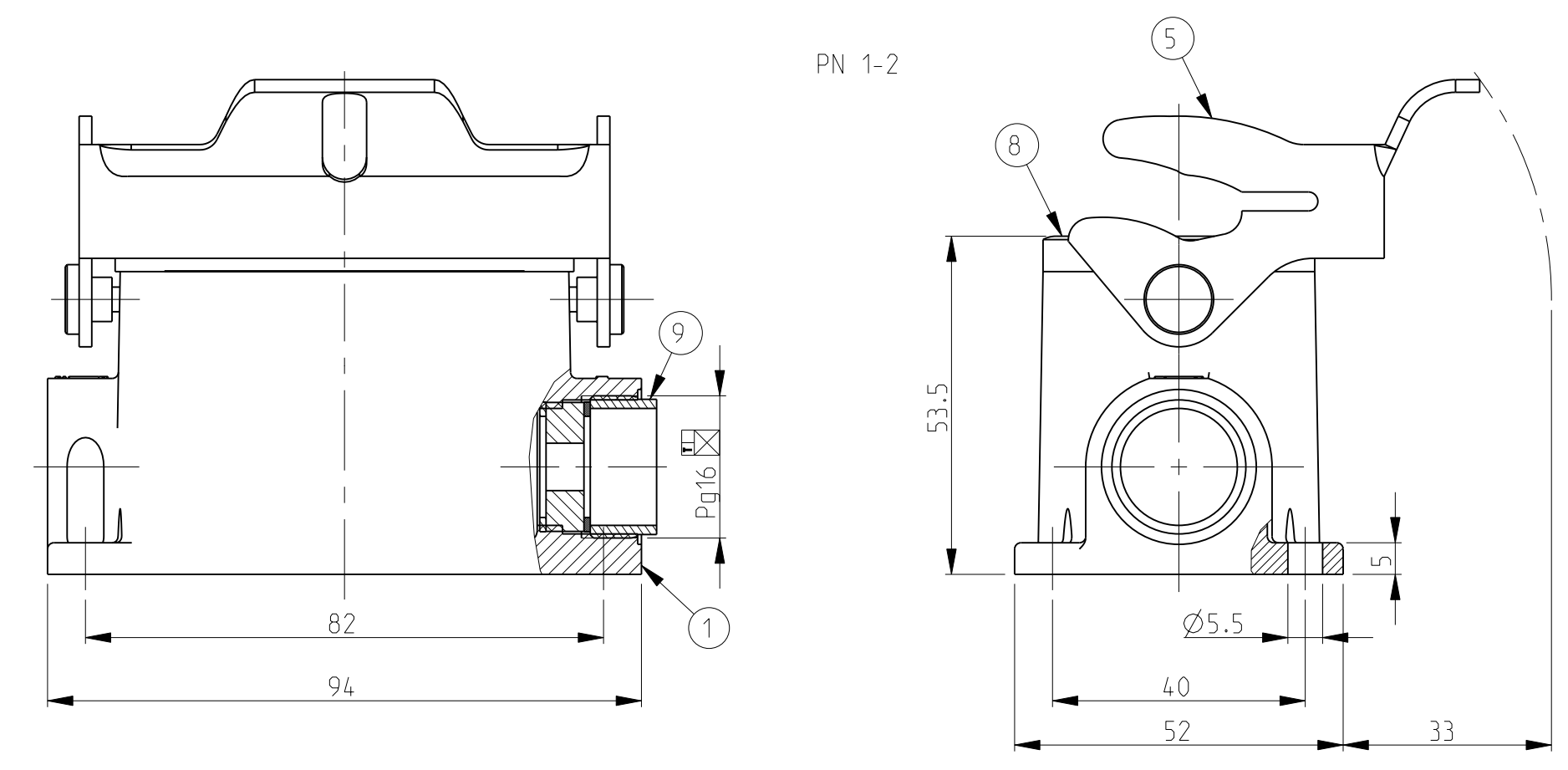
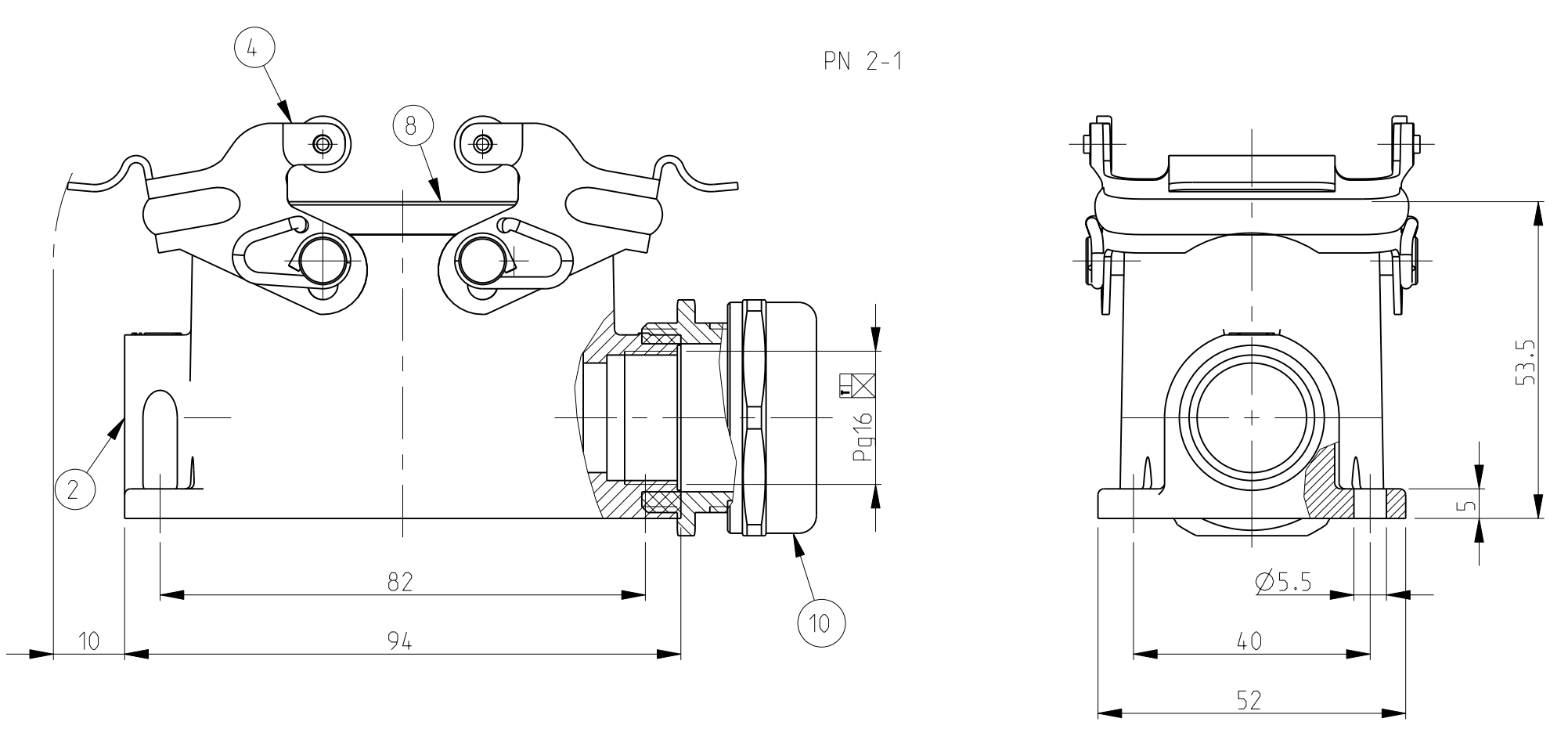
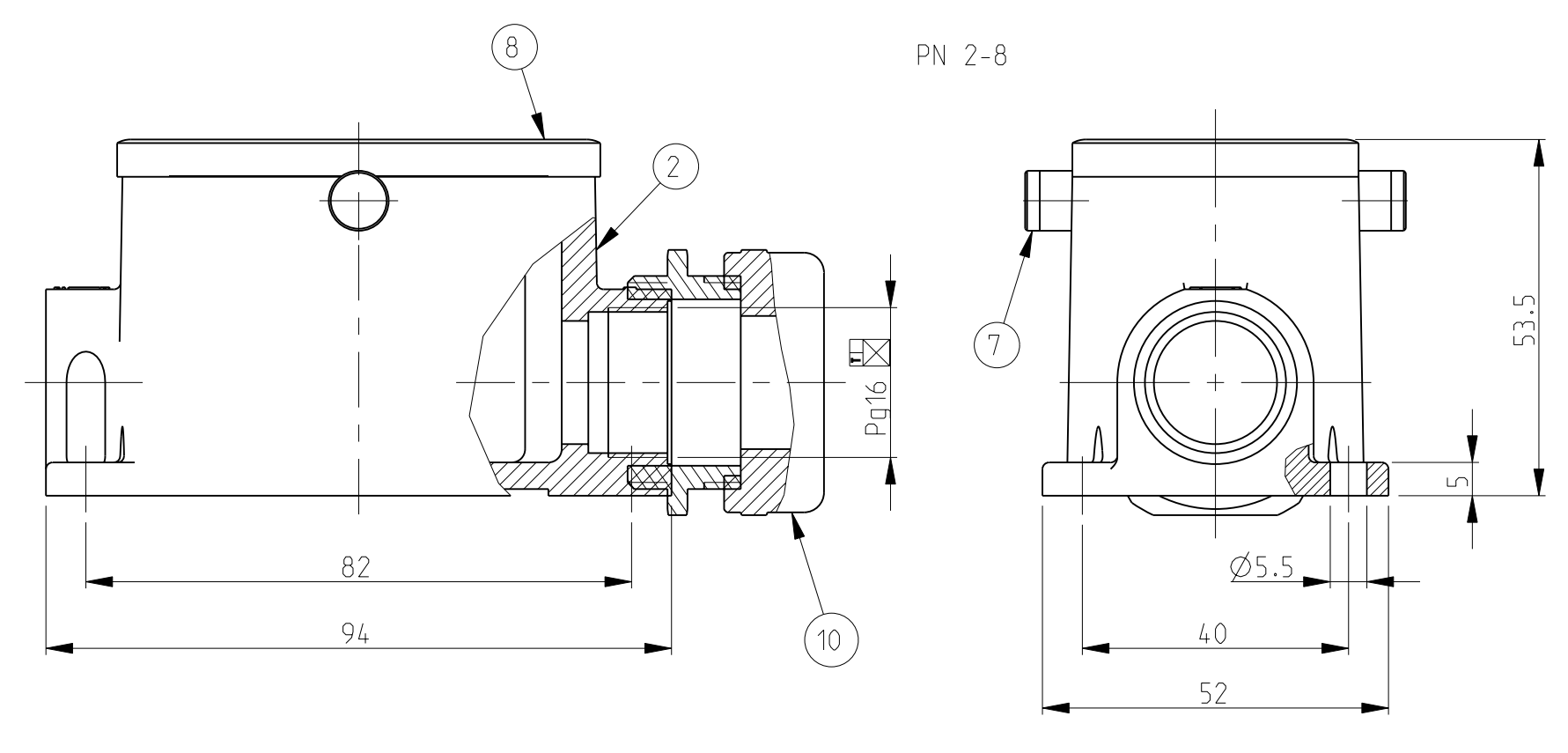
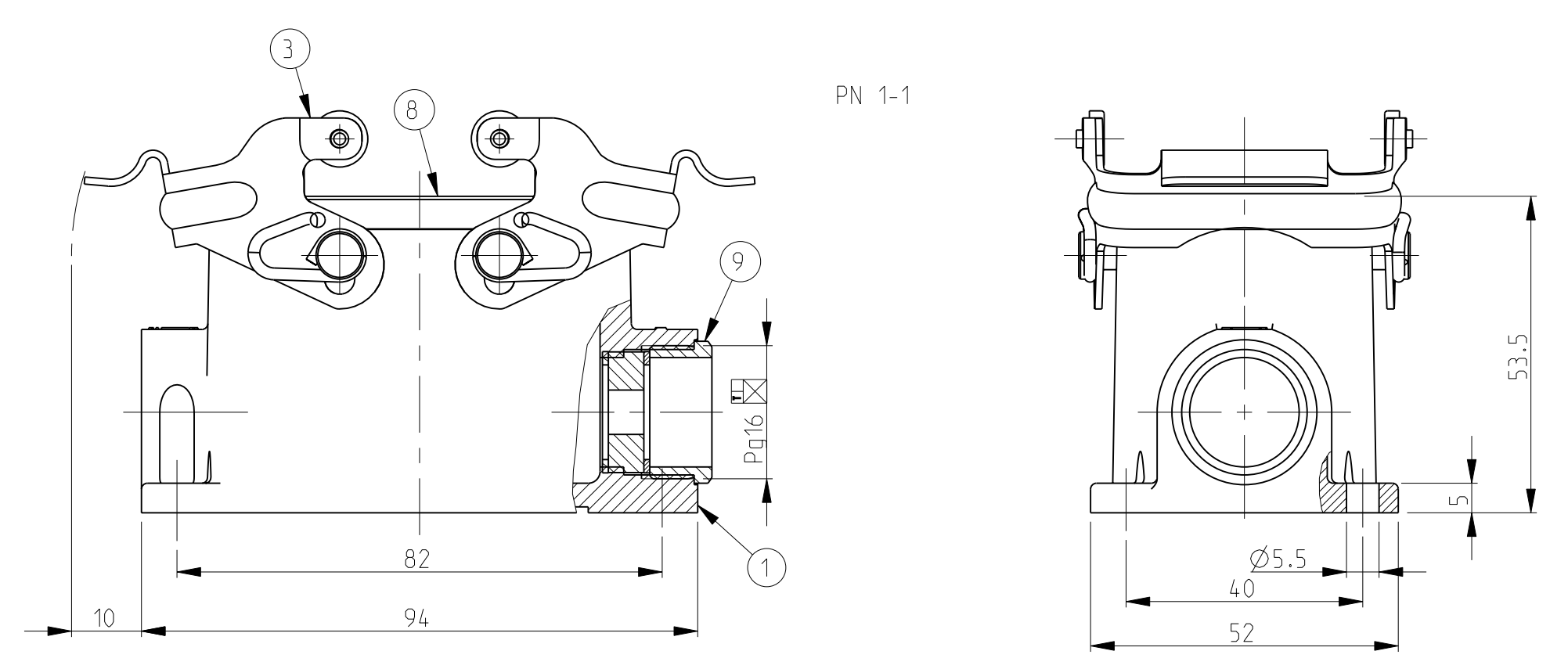
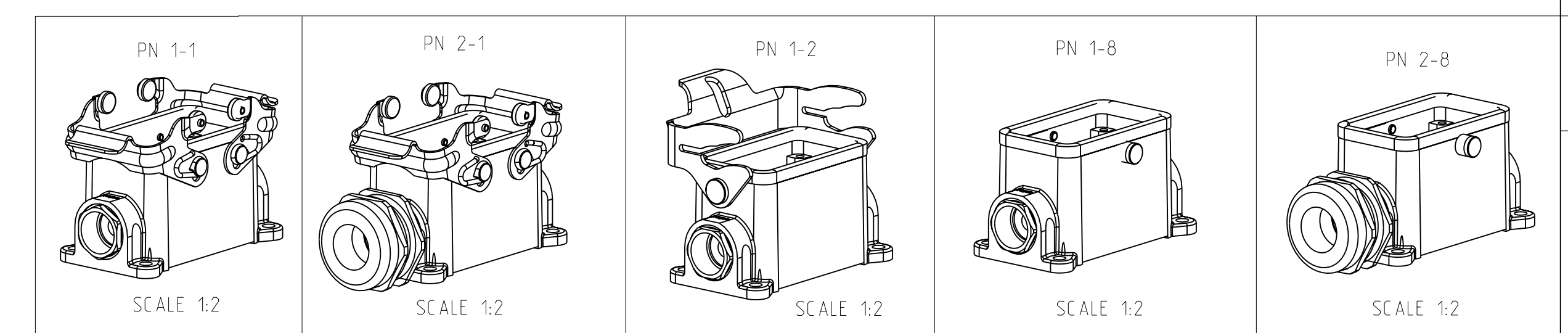


LOC	DIST	REVISIONS			
P	LTB	DESCRIPTION	DATE	DWN	APVD
A1	-	Released as per ECR-08-016634	02.July.2008	SP	TS



- NOTES.
- Material:Housing:Aluminium Diecasting Alloy
Seals:Neoprene
 - Surface:Varnish grey
-Aluminium Oxide +Varnish Black
 - Varnish on the inside not necessary
 - Packaging
Quantity 5 Pieces in a box



QTY	DESCRIPTION	MATERIAL	SURFACE	COLOR	ITEM NO	NOTES
1	Hut-Gland fitting	Brass	Nickel plated	Blue	10	Pg16
1	DS-Cable fitting screw	Brass	Nickel plated	Blue	9	Pg16
1	Profile seal	Neoprene		Black	8	
2	ZB-Clip positioner	Stainless steel	Blank	Blue	7	
2	ZB-Clip positioner	Steel	Zinc plated	Blue	6	
	LB-Side clip	Steel	Zinc plated	Blue	5	
	VS-Side clip	Stainless steel	Blank		4	
	VS-Side clip	Steel	Zinc plated	Blue	3	
1	Surface mounted housing bottom entry HB-K	Aluminium	Aluminium oxide	Black	2	
1	Surface mounted housing bottom entry HB	Aluminium		Grey	1	

ORDERING TEXT
 HB.10.SG-VS.1.16
 HB-K.10.SG-VS.1.16
 HB.10.SG-LB.1.16
 HB-Z.10.SG-ZVGR.1.16
 HB-K/Z.10.SG-ZVGR.1.16

DIMENSIONS:	TOLERANCES UNLESS OTHERWISE SPECIFIED:	DWN	Schneider	29.04.03	Tyco Electronics,AMP.GmbH 0-53819,Neunkirchen,Germany
mm	0 / 0.10 / 0.20 / 0.50 / 1.00 / 2.00 / 3.00 / 4.00 / 5.00 / 6.00 / 8.00 / 10.00 / 15.00 / 20.00 / 30.00 / 40.00 / 50.00 / 60.00 / 80.00 / 100.00	CHK	Schweiger	29.04.03	
MATERIAL	FINISH	APVD			NAME
					Surface mounted housing side entry HB.10.SG.1.16
					PRODUCT SPEC
					APPLICATION SPEC
					SIZE CAGE CODE DRAWING NO
					A1 00779 C=1102273
					RESTRICTED TO
					CUSTOMER DRAWING
					SCALE 1:1 SHEET 1 OF 1 REV A2